

RTD Junction Box - JBRTD-664

MSCP's JBRTD-664 RTD Junction Boxes and Splice Boxes are suitable for connection of probe-style RTDs. The corner latches provide unobstructed access and the dual latching creates added security. They are approved for use in non-hazardous and hazardous locations. The materials used provide maximum protection for service in the harshest environments, including organic chemicals and corrosives in the oil, gas and petrochemical industries.

Advantages:

- Approved for use in hazardous locations
- Allows for six 1/2" and three 3/4" hubs
- Mounting tabs and stainless steel screws are provided with the enclosure
- Water-tight and dust-tight seal
- Moisture proof
- Highly resistant to chemicals and corrosive environments
- Covers a wide range of ambient temperatures from –50°C (-58°F) to 40°C (104°F)

Applications:

- Typically used as a junction box for Probe style RTD's
- One control cable in and one RTD probe cable out
- Two RTD control cables in and two RTD probes out
- Up to two control cables in and, up to two control cables out
- Pipes, vessels and tanks
- Chemical and petrochemical industries
- Oil and gas industries



JBRTD-664



Electrical Information

Specifications

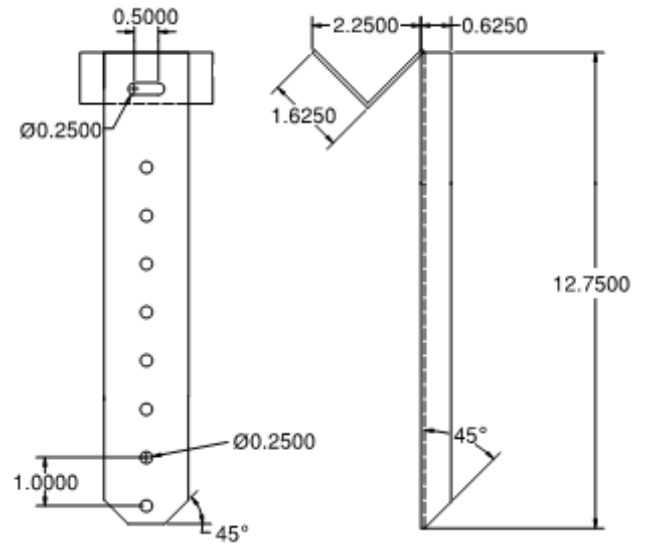
- Maximum operating voltage—600Vac
- Maximum 35A per terminal
- Terminals rated for 16AWG to 6AWG
- Maximum circuit breaker rating—40A
- Six terminal blocks and two grounding terminal blocks

JBRTD-664

Enclosure Details

Mounting Options

- Use the pre-fabricated holes and screws provided
- Use the four mounting tabs and screws provided
- Can be mounted either on top or on bottom of the pipe
- Use two mounting brackets (MB-300/400) and pipe straps (SSPS-01/02/10/20) to secure junction boxes on pipes
- Mounting brackets and pipe straps are not included but can be purchased separately
- Mounting brackets are to be installed prior to the insulation and cladding



Mounting Bracket